

Housing Authority of the City of Erie

Scattered Sites

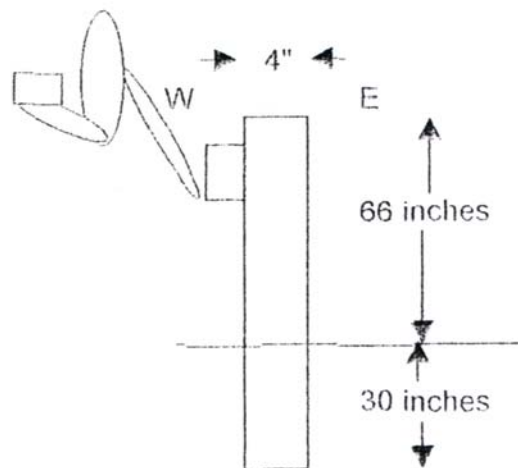
13-7, 13-8, 13-17, 13-18

Satellite Dish Installation

SPECIFICATIONS

The Housing Authority of the City of Erie will permit the installation and connection of a satellite dish at our Scattered Sites housing, under the following terms and conditions.

1. Tenant must request, in writing, permission to install a dish.
2. The Authority will review and approve the proposed location or make the necessary adjustment to meet our requirements. In all cases, the location will be in the rear yard.
3. Dish is limited to 20 ½" x 30 ½" diameter.
4. Dish must be mounted on a 4" x 4" x 8' treated lumber pole.



5. Pole must be installed in a 30" x 12" hole, with faces of the pole oriented North, South, East, West.
6. Pour one (1) 80 lb. bag of Sacrete around pole and add water. Let set for eight (8) hours.
7. Top of pole should be no more than 5', 6" out of the ground. Install dish approximately 4" from top of pole.
8. Wiring from the Dish must run down the pole to the ground. Wire shall be run to the house in a trench at least 6" deep.

9. At the house foundation, bring the wire above ground and drill a ½" hole through a masonry joint in the basement wall. Slide the cable through the hole and caulk the surrounding opening.
10. Inside house, cable must be fed through the walls to the room where the television is located. No cable may be mounted on the walls, ceilings, or woodwork of the house.
11. All installations must be done by an installer approved, in advance, by the Housing Authority.

September 15, 2006